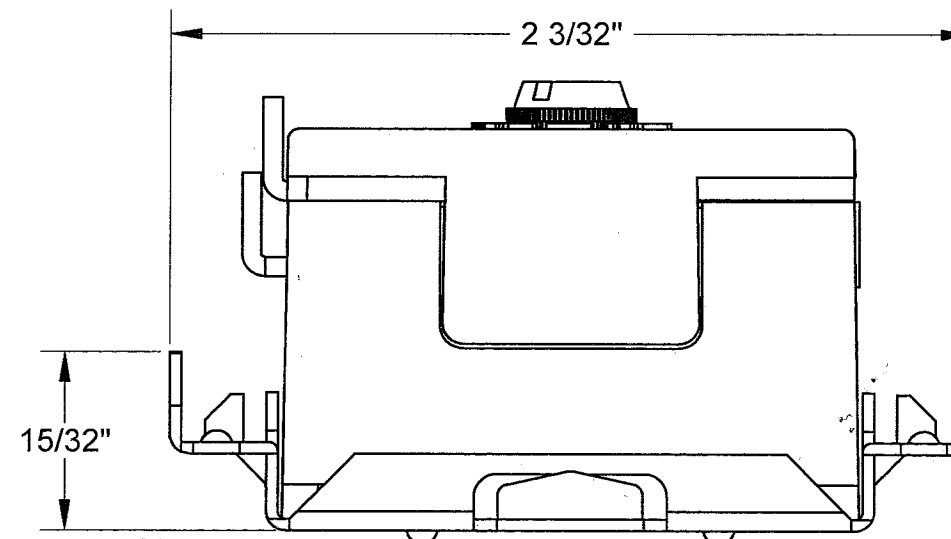
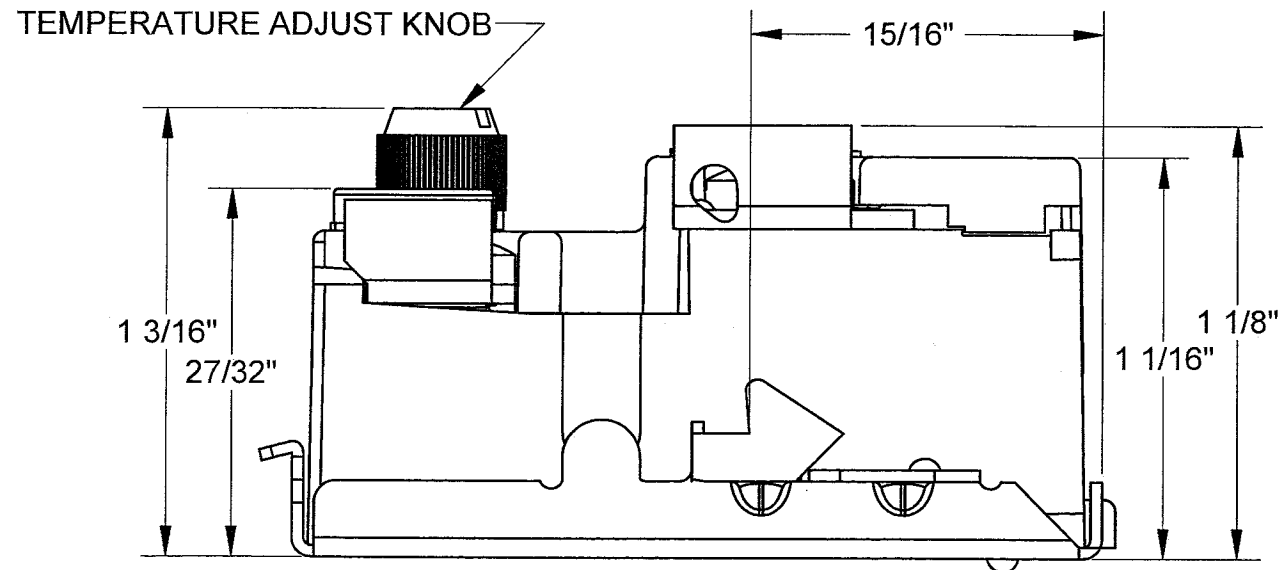


APCOM WH9C THERMOSTAT:


1. CALIBRATED TO 140±5°F
2. TEMPT. RANGE: 130° TO 170°F
3. TEMPT. DIFFERENTIAL: 7° TO 17°F BELOW CALIBRATION TEMPERATURE.
4. ELECTRICAL RATING: REF. COVER OF WH9C ON THIS DRAWING. U/L AND CSA AGENCY APPROVED.



ORIGINAL

PART NO. 700809-000

REV.	DCN	DESCRIPTION	DATE
02	A8173	DELETE INKJET "L"	2/20/2007
01	A8119	700812 TO 700970 CAP	1/24/2007
00	A8046	INITIAL DRAWINGS	12/05/2006

MATERIAL:		 FRANKLIN, TN U.S.A. www.apcom-inc.com	
CONFIDENTIAL <small>THIS DOCUMENT IS, AND CONTAINS, CONFIDENTIAL AND TRADE SECRET INFORMATION OF APCOM. THIS DOCUMENT IS LOANED FOR LIMITED PURPOSES ONLY, AND REMAINS THE PROPERTY OF APCOM. IT IS TO BE RETURNED UPON REQUEST, AND IN ALL EVENTS UPON COMPLETION OF THE PURPOSE OF THE LOAN.</small>		<small>UNSPECIFIED TOLERANCES:</small> 2 PLACE DEC ±.010 FRACT ±1/32 3 PLACE DEC ±.005 ANGLES ±2° <small>ALL DIMENSIONS IN INCHES UNLESS OTHERWISE SPECIFIED. METRIC UNITS ARE DISPLAYED AS [XXX].</small>	
<small>NEITHER IT, NOR THE INFORMATION IT CONTAINS, MAY BE REPRODUCED, USED, OR DISCLOSED TO PERSONS NOT HAVING A NEED TO KNOW CONSISTENT WITH THE PURPOSE OF THE LOAN, WITHOUT WRITTEN CONSENT OF APCOM.</small>		<small>TITLE:</small> THERMOSTAT, L WH9C	<small>CHECKED:</small> <i>Jeff Baxter</i> 02/20/07
<small>DATE:</small> 2/20/2007		<small>DRAWN:</small> MUNGUIA, J	<small>APPROVED:</small> <i>[Signature]</i> 2/20/07
		<small>SCALE:</small> 2:1	<small>DRAWING NUMBER:</small> 700809-XXX